

LAND SPOT 110

IP67 **LANDSCAPE**

The built in power supply makes the installation easier,
Various top hats, honey louvers are available,
Various mounting methods contain varying
from spike to surface brackets.



RGBW



Easy
Installation



Dimmable



RDM



Adjustable



Extreme
Environments



IP67



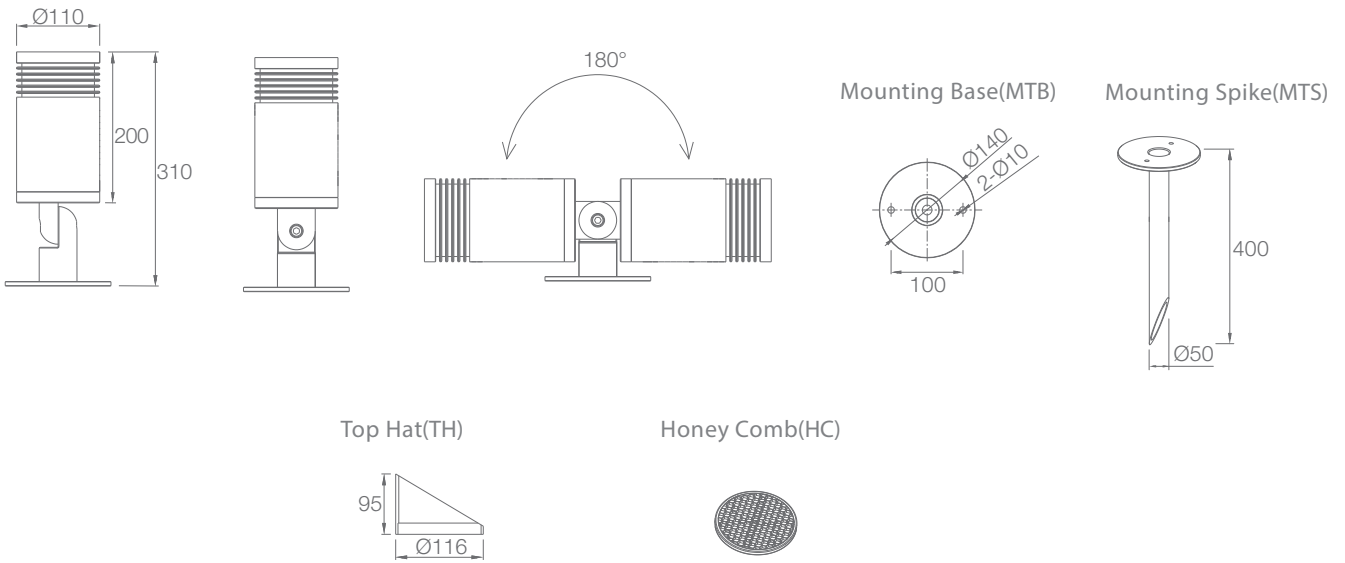
AC-IN

SPECIFICATION

MODEL	▶ LAND SPOT 110
OPERATING VOLTAGE	▶ AC 100–240V
POWER CONSUMPTION	▶ 30W MAX
LED TYPE	▶ COB, High Power LED
COLOR RANGE	▶ 2700K,3000K,4000K,5000K,RGB,RGBW
CRI	▶ 90min, 80min
SYSTEM EFFICIENCY	▶ 91lm/W@3000K
FWHM	▶ 6°, 10°, 25°, 40°
MATERIAL	▶ Aluminum + Tempered Glass
OPERATING TEMPERATURE	▶ -20°C ~ +55°C
STORAGE TEMPERATURE	▶ -25°C ~ +60°C
LIFE TIME	▶ 50,000 hours/L70 at 25°C
DIMENSIONS	▶ Φ110*310(H)mm
CABLE LENGTH	▶ 1000mm
WATER PROOF	▶ IP67
CONTROL	▶ ON/OFF, DMX/RDM, 0–10V Dim
LIST	▶ CE

ORDER CODE	MODEL	POWER	CCT	CRI	OPTICS	VOLTAGE	CONTROL	ACC
EXAMPLE	LAND SPOT 110	- 30	- 3000K	- 90	- 10	- 220	- DMX	- TH

DIMENSIONS



OPTIC SELECTION



10°

LED	Lumens	Watts	Efficacy
WHITE	2378.24	30.00	79.27

CenterBeamLux	Illuminance at Distance
1582.77 lx	2.0m
395.69 lx	4.0m
175.41 lx	6.0m
98.91 lx	8.0m
65.39 lx	10.0m
45.35 lx	12.0m

■ Ver. Spread: 12.0° ■ Horiz. Spread: 11.0°



25°

LED	Lumens	Watts	Efficacy
WHITE	2560.00	30.00	85.33

CenterBeamLux	Illuminance at Distance
1446.60 lx	2.0m
361.90 lx	4.0m
160.96 lx	6.0m
90.22 lx	8.0m
57.41 lx	10.0m
39.98 lx	12.0m

■ Ver. Spread: 23.0° ■ Horiz. Spread: 22.0°



40°

LED	Lumens	Watts	Efficacy
WHITE	2741.70	30.00	91.36

CenterBeamLux	Illuminance at Distance
1378.43 lx	2.0m
344.30 lx	4.0m
152.20 lx	6.0m
86.35 lx	8.0m
55.51 lx	10.0m
37.78 lx	12.0m

■ Ver. Spread: 41.0° ■ Horiz. Spread: 39.0°

3000K